

Technical data

These pressure die-cast aluminium alloy doors offer superior mechanical strength and are manufactured to DIN 24339 standard. They provide easy access to the inside of the oil tank for inspection and cleaning purposes.

On request and for small quantities, to be agreed with MP Filtri Technical and Sales Department, inspection doors can be supplied with:

- Customer logo.
- Hole cut for visual level indicator.
- Hole cut for visual and electrical level indicator.
- Oil sample plug

Compatibility with fluids

- Mineral oils types HH-HL-HM-HR-HV, to ISO 6743/4 standard
- Water based emulsions types HFAE-HFAS, to ISO 6743/4 standard
- Water glycol type HFC, to ISO 6743/4 standard: ask for anodized version

Materials

Cleaning covers: pressure die-cast aluminium alloy

Seal: NBR 70 Shore A

Temperature

From -30 °C to +80 °C

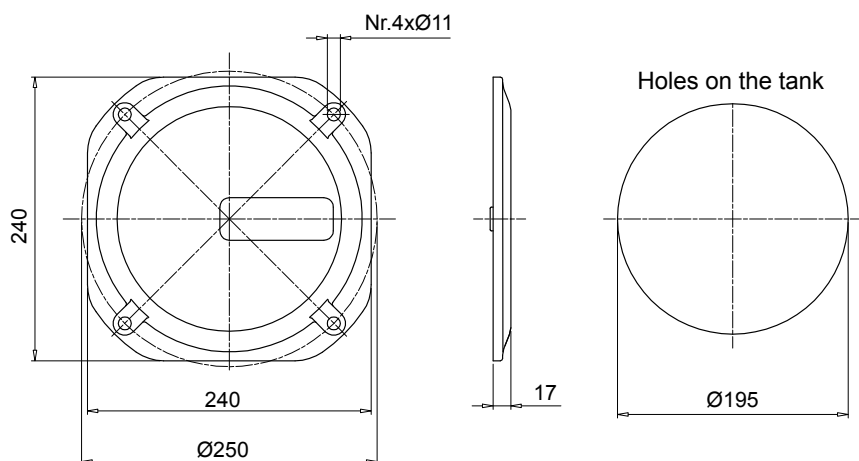
Special Applications

Any applications not covered by the normal indications contained in this catalogue must be evaluated and approved by MP Filtri Technical and Sales Department

Dimensions

Cleaning cover according to DIN 24339

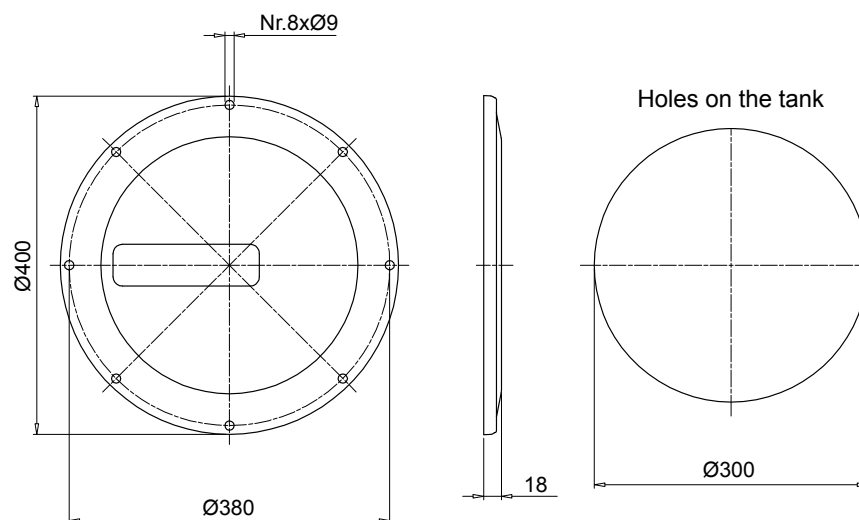
OB275



Code	Description	Seal	Weight [kg]
OB275P01GN	Door with MP Logo	NBR	2.06
OB275P02GN	Blank cover	NBR	2.06
OB275P01GV	Door with MP Logo	FPM	2.06
OB275P02GV	Blank cover	FPM	2.06

Code	Description	Weight [kg]
OB275P01	Door with MP Logo	1.76
OB275P02	Blank cover	1.76
GU0275NBR	Seal	1.76
GU0275VTN	Seal	1.76

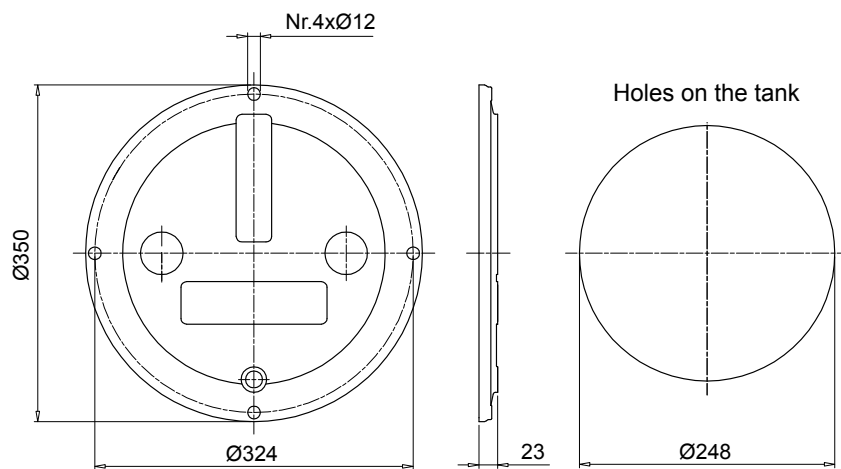
OB400



Code	Description	Seal	Weight [kg]
OB400P01GN	Door with MP Logo	NBR	3.20
OB400P02GN	Blank cover	NBR	3.20
OB400P01GV	Door with MP Logo	FPM	3.20
OB400P02GV	Blank cover	FPM	3.20

Code	Description	Weight [kg]
OB400P01	Door with MP Logo	2.90
OB400P02	Blank cover	2.90
GU0400NBR	Seal	2.90
GU0400VTN	Seal	2.90

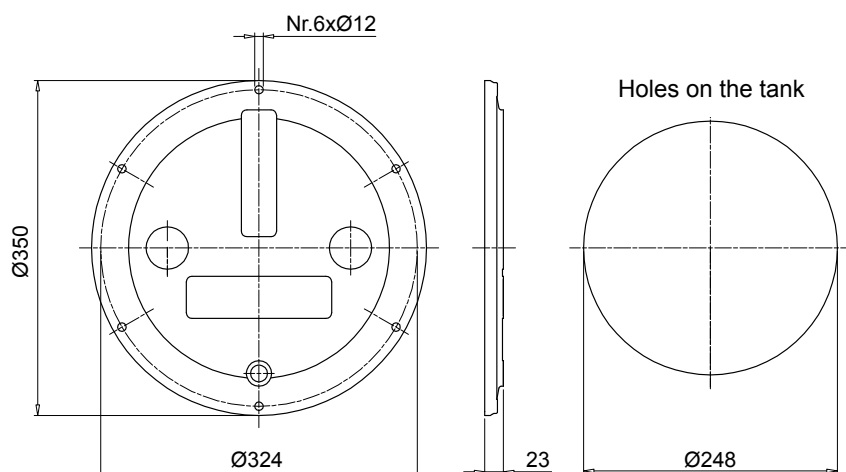
OB350



Code	Description	Seal	Weight [kg]
OB350P01GN	Door with MP Logo	NBR	2.10
OB350P02GN	Blank cover	NBR	2.10
OB350P01GV	Door with MP Logo	FPM	2.10
OB350P02GV	Blank cover	FPM	2.10

Code	Description	Weight [kg]
OB350DIN000	Door	1.80
GU0350DINNBR	Seal	1.80
GU0350DINVTN	Seal	1.80

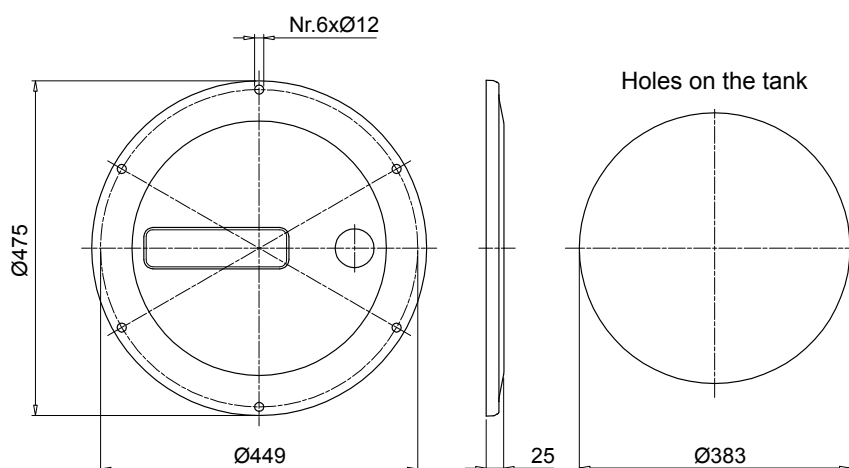
OB356



Code	Description	Seal	Weight [kg]
OB356P01GN	Door with MP Logo	NBR	2.10
OB356P02GN	Blank cover	NBR	2.10
OB356P01GV	Door with MP Logo	FPM	2.10
OB356P02GV	Blank cover	FPM	2.10

Code	Description	Weight [kg]
OB356DIN000	Door	1.80
GU0350DINNBR	Seal	1.80
GU0350DINVTN	Seal	1.80

OB475



Code	Description	Seal	Weight [kg]
OB475P01GN	Door with MP Logo	NBR	3.70
OB475P02GN	Blank cover	NBR	3.70
OB475P01GV	Door with MP Logo	FPM	3.70
OB475P02GV	Blank cover	FPM	3.70

Code	Description	Weight [kg]
OB475P01	Door with MP Logo	3.40
OB475P02	Blank cover	3.40
GU0475DINNBR	Seal	3.40
GU0475DINVTN	Seal	3.40

Oil level indicator **LVA** series - vertical shape

Technical data

Installation

Materials

Transparent amorphous polyamide lens
Polyamide guard
Seals: NBR - FPM

Operating pressure

Max 1 bar at +80°C

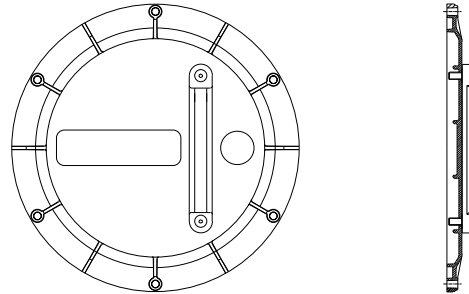
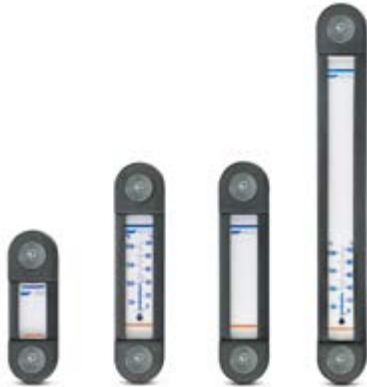
Operating temperature

From -25 °C to +80 °C

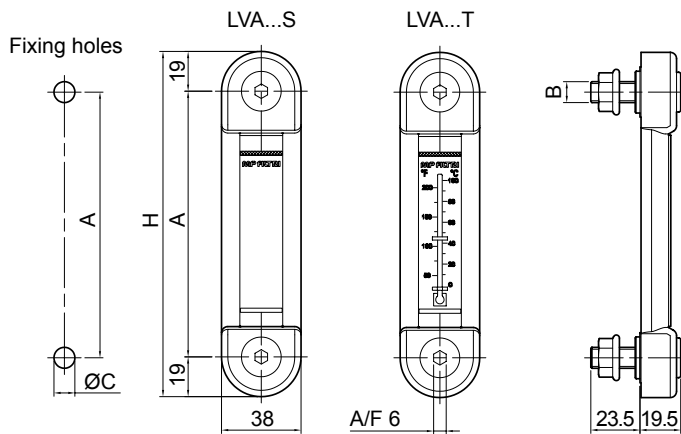
Tightening torque

10 N·m max.

Mineral oils
Synthetic oils
Water base emulsions
Phosphoric esters



Dimensions



Size	A [mm]	H [mm]
LVA 10	76	114
LVA 20	127	165
LVA 30	254	292

Type	B [mm]	ØC [mm]
LVA...M10	M10	10.5
LVA...M12	M12	12.5
LVA...U38	3/8" UNC	10.0
LVA...U12	1/2" UNC	13.5

Packaging

Type	Nr. pieces per pack
LVA	10

Preparing for to fit the level on request

Indicator code	OB275**	OB350**	OB356**	OB400**	OB475**
LVA 10**	•	•	•	•	•
LVA 20**		•	•	•	•
LVA 30**				•	•

Electrical oil level indicators **LEG** series

Technical data

LEG series electrical oil level indicators are supplied with a 3-hole fixing flange and a reed switch having NC-NO contacts.

Designed typically for installation on the vertical walls of oil tanks, these instruments can also be mounted to inspection doors of the OB475 series as indicators of minimum and maximum oil levels in the tank.

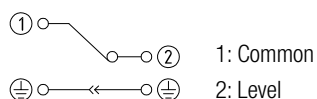
Warning

To operate correctly, the float must be positioned vertically and at a minimum distance of 35 mm from walls made of ferrous metal.

To change the contact from NC to NO, simply turn the float upside down.

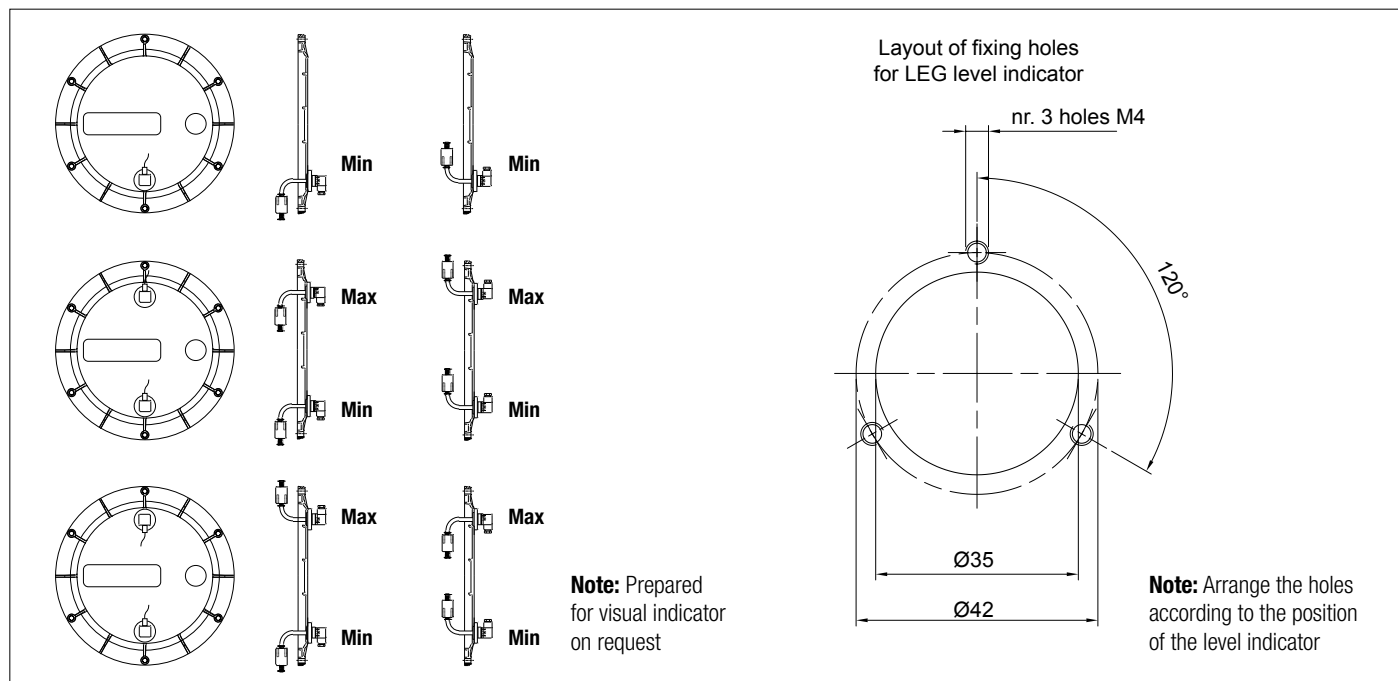
The electrical properties indicated are referred to resistive loads; for capacitive and inductive loads and incandescent lamps, use protection circuits.

Electrical symbol:

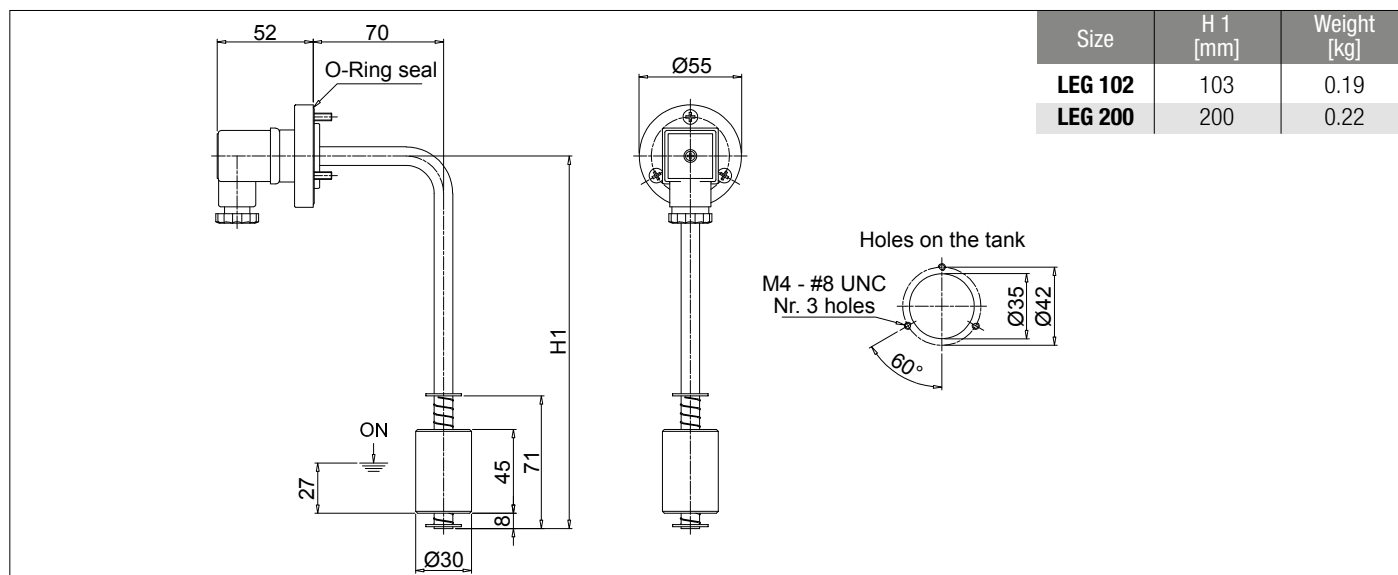


Note: to invert the contact status from NC to NO and vice versa, simply invert the float.

Installation

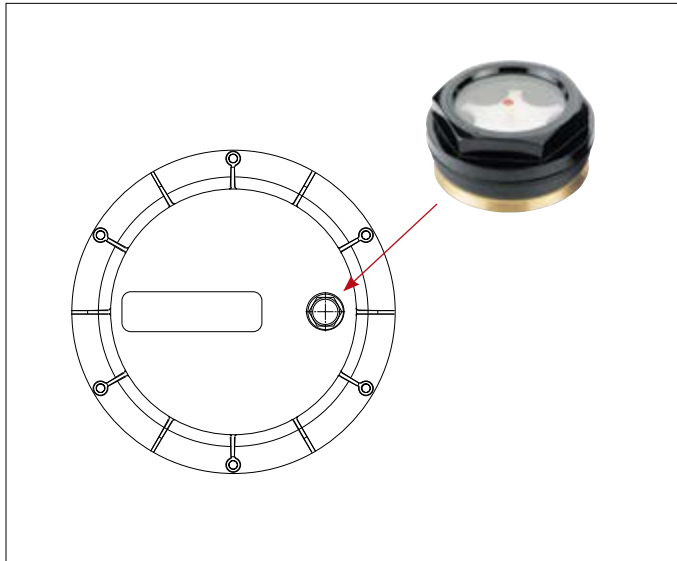


Dimensions

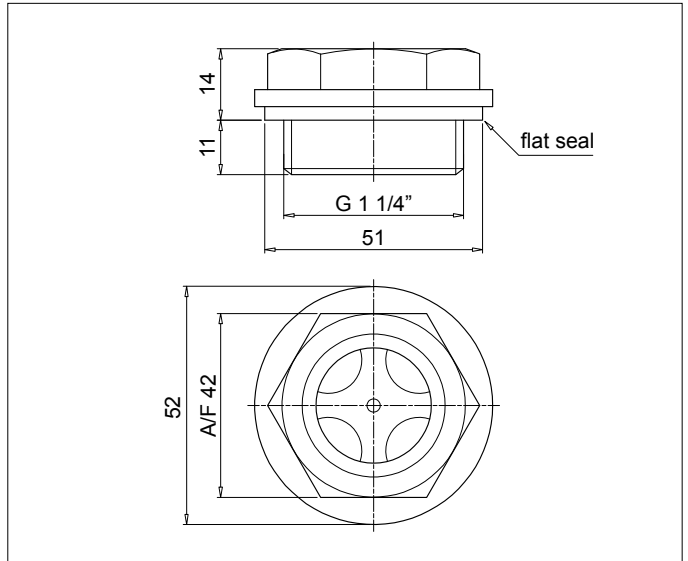


Visual level indicators code **LCPG42N...S**

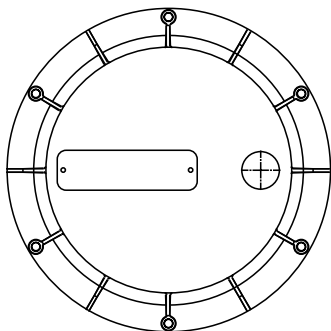
Installation



Dimensions



Available customization



Nameplate with customer logo
Ordering information: **OB475LOGOP05**

The nameplates applied to the new inspection door are identical to those applied to the old door. The difference with the new door is that nameplates are fixed with rivets.

For ordering information codes, minimum order quantities, fixing hole positions and other details not indicated in this publication, contact MP Filtri Technical and Sales Department.