

Technical data

The foot brackets are proportioned to support IEC Electric motors with B5 flange without feet.

The range is available from size 71 to size 180.

Compatibility with fluids

- Mineral oils types HH-HL-HM-HR-HV, to ISO 6743/4 standard
- Water based emulsions types HFAE-HFAS, to ISO 6743/4 standard
- Water glycol type HFC, to ISO 6743/4 standard: ask for anodized version

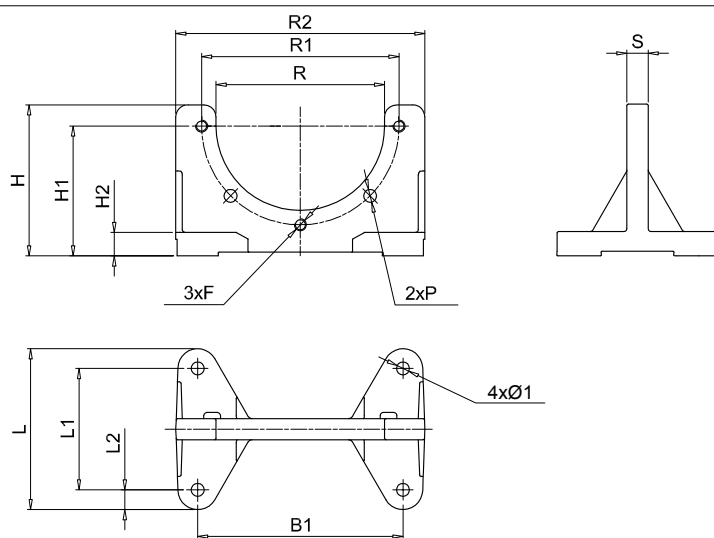
Materials

Foot bracket: pressure die-cast aluminium alloy

Temperature

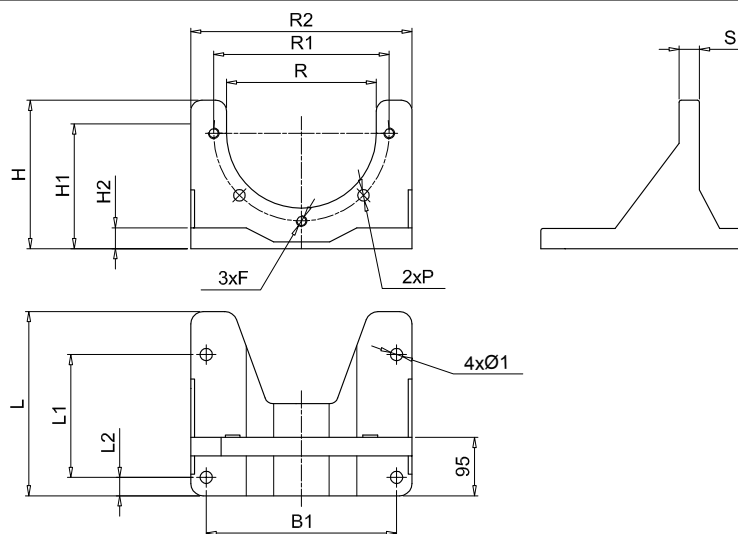
From -30 °C to +80 °C

Dimensions



Dimensions [mm]

Foot bracket	B	B1	R2	L	L1	L2	H	H1	H2	R	R1	S	P	Ø1	F	Weight [kg]
PDM A 160	160	135	180	106	80	13	100	86	16	111	130	14	8.5	8.5	M8	0.45
PDM A 200	200	175	207	128	98	21	128	115	14	146	165	14	11.0	11.5	M10	0.60
PDM A 250	250	220	262	172	130	21	157	145	18	191	215	16	13.0	13.5	M12	1.20
PDM A 300	300	270	320	210	160	25	188	170	18	235	265	20	13.0	13.5	M12	1.80



Dimensions [mm]

Foot bracket	B	B1	R2	L	L1	L2	H	H1	H2	R	R1	S	P	Ø1	F	Weight [kg]
PDM A 350	350	310	360	300	200	30	220	200	30	261	300	30	18	13	M16	4.80

Damping rods are element to reduce the transmission of the vibrations and emission of noise generated of the system.

Damping rods are available for IEC Electric motors from size 71 to size 315L and for MP FILTRI foot bracket

Compatibility with fluids

- Mineral oils types HH-HL-HM-HR-HV, to ISO 6743/4 standard
- Water based emulsions types HFAE-HFAS, to ISO 6743/4 standard

Materials

Plate: steel black colour
Damping element: NBR 60 Shore A

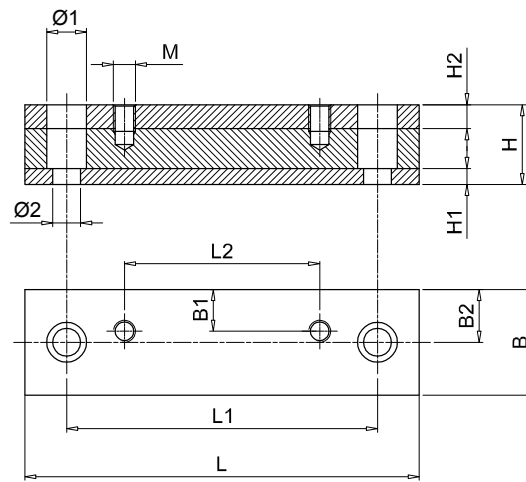
Temperature

From -20 °C to +80 °C

Special Applications

Any applications not covered by the normal indications contained in this catalogue must be evaluated and approved by the MP Filtri Technical and Sales Department

Dimensions



Damping rods for foot brackets PDMA series.

For foot brackets see page 116

Code	Dimensions [mm]											Weight [kg]	
	L	L1	L2	B	B1	B2	H	H1	H2	Ø1	Ø2		M
MPDR PDMA160P	196	156	80	50	21	25	40	8	12	20	14	M8	1.5
MPDR PDMA200P	196	156	98	50	21	25	40	8	12	20	14	M10	1.5
MPDR PDMA250P	240	205	130	50	24	25	40	8	12	20	14	M12	2.0
MPDR PDMA300P	280	245	160	50	20	25	45	8	12	20	14	M12	2.5
MPDR PDMA350P	446	400	200	70	35	35	60	15	15	26	18	M12	8.0

Damping rods for electrical motors UNEL-MEC

Code	Dimensions [mm]											Weight [kg]	
	L	L1	L2	B	B1	B2	H	H1	H2	Ø1	Ø2		M
MPDR 71P	196	156	90	50	21	25	40	8	12	20	14	M6	1.5
MPDR 80P	176	146	100	50	22	25	40	8	12	20	14	M8	1.7
MPDR 90SP	196	156	100	50	24.5	25	40	8	12	20	14	M8	1.7
MPDR 90LP	240	205	125	50	24	25	40	8	12	20	14	M8	2.0
MPDR 100LP	240	205	140	50	22	25	40	8	12	20	14	M10	2.0
MPDR 132SP	280	245	140	50	20	25	45	8	12	20	14	M10	2.5
MPDR 132MP	280	245	178	50	20	25	45	8	12	20	14	M10	2.5
MPDR 160MP	340	300	210	70	28	35	60	15	15	26	18	M12	6.0
MPDR 160LP	416	370	254	70	28	35	60	15	15	26	18	M12	7.5
MPDR 180MP	416	370	241	70	35	35	60	15	15	26	18	M12	7.5
MPDR 180LP	446	400	279	70	35	35	60	15	15	26	18	M12	8.0
MPDR 200LP	492	430	305	70	35	35	60	15	15	33	22	M16	8.9
MPDR 225SP	492	430	286	70	35	35	60	15	15	33	22	M16	8.9
MPDR 225MP	492	445	311	70	35	35	60	15	15	33	22	M16	8.9
MPDR 250MP	492	445	349	100	50	50	60	15	15	33	22	M20	12.5
MPDR 280SP	614	570	368	100	50	50	60	15	15	33	22	M20	15.1
MPDR 280MP	614	570	419	100	50	50	60	15	15	33	22	M20	15.1
MPDR 315SP	614	570	406	120	60	60	60	15	15	33	22	M24	26.5
MPDR 315MP	614	570	457	120	60	60	60	15	15	33	22	M24	26.5
MPDR 315LP	704	660	508	120	60	60	60	15	15	33	22	M24	29.2