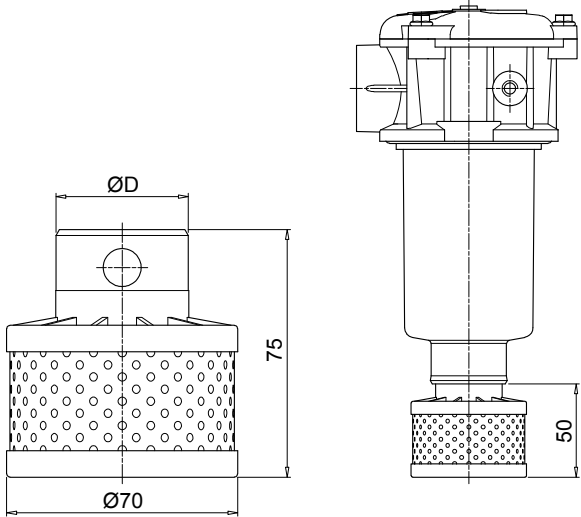


Accessories

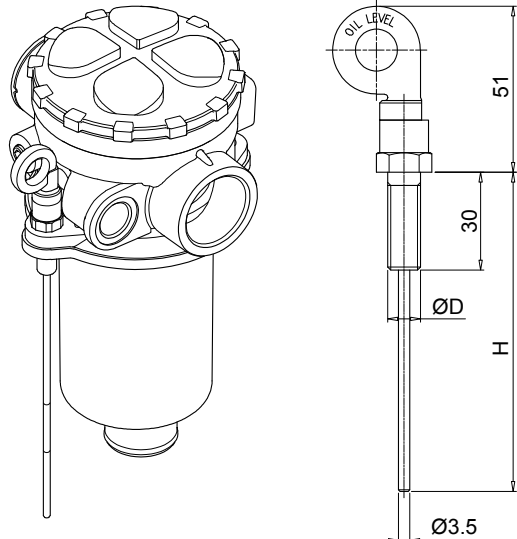
DIFFUSER WITH FAST LOCK CONNECTION



Example: **DFS** **40** **A** **075**

Series	DFS
Size	ØD [mm]
40	40
Version	A Standard
Length	075 75 mm

DIPSTICK



Example: **DPT** **20** **M10** **A** **P01**

Series	DPT
Length	H [mm]
15	134
20	184
25	234
30	284
35	334
Fastening	M8 Fastening with screws ØD = M8
	M10 Fastening with screws ØD = M10
Seals	A NBR
	V FPM
Execution	P01 MP Filtri standard
	Pxx Customized

Materials

- Screw: phosphatized steel
- Stick: phosphatized steel
- Handle: Polyamide

Technical data

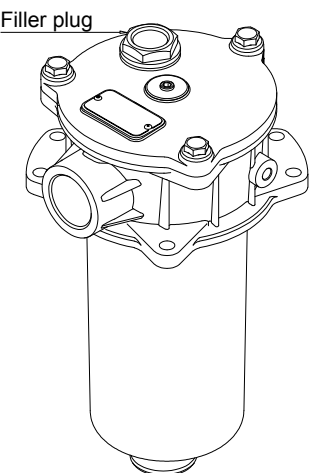
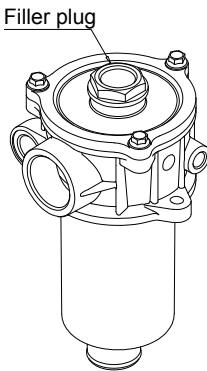
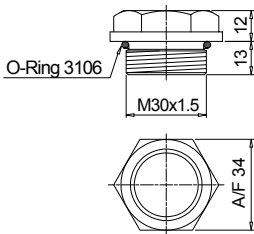
Working temperature: from -25 °C to +110 °C

FILLER PLUG

Series
T5

Materials
- Body: Polyamide
- Seal: NBR

Technical data
Tightening torque:
15 N·m



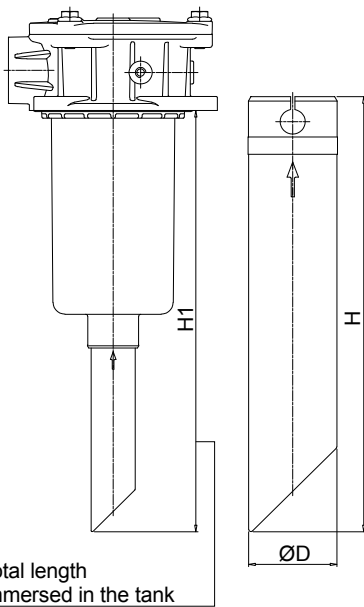
POLYAMIDE EXTENSION TUBE

Example: **TE** **40** **A** **250**

Series	Size	ØD [mm]
TE	25	25
	40	40
	51	51
	62	62

Material
A Polyamide

Length	H [mm]	25-40	51-62
200	200	•	•
250	250	•	-
300	300	•	•
350	350	•	-
400	400	•	•
450	450	•	-
500	500	•	•
600	600	-	•



COMPATIBILITY TABLE

Filter series	Filter size	Filter length	Filter size				Tube length H1 [mm]							
			TE25	TE40	TE51	TE62	200	250	300	350	400	450	500	600
MPFX	030	10	•	-	-	-	266	316	366	416	466	516	566	-
		10	-	-	-	-	277	327	377	427	477	527	577	-
		20	-	•	-	-	322	372	422	472	522	572	622	-
		30	-	-	-	-	400	450	500	550	600	650	700	-
	100 - 104 - 110	40	-	-	-	-	502	552	602	652	702	752	802	-
		10	-	•	-	-	410	460	510	560	610	660	710	-
	181 - 182 - 184	20	-	-	-	-	623	673	723	773	823	873	923	-
		20	-	-	•	-	620	-	720	-	820	-	920	1020
	191 - 192 - 194	10	-	-	•	-	352	-	452	-	552	-	652	752
		20	-	-	-	•	411	-	511	-	611	-	711	811
400 - 410 - 450	30	-	-	-	•	459	-	559	-	659	-	759	859	
	10	-	-	-	•	597	-	697	-	797	-	897	997	
MPTX	025 - 027	10	•	-	-	-	278	328	378	428	478	528	578	-
		20	-	-	-	-	342	392	442	492	542	592	642	-
		30	-	-	-	-	380	430	480	530	580	630	680	-
		10	-	-	-	-	273	323	373	423	473	523	573	-
	110 - 114 - 116 - 120	20	-	•	-	-	318	368	418	468	518	568	618	-
		30	-	-	-	-	396	446	496	546	596	646	696	-
		40	-	-	-	-	498	548	598	648	698	748	798	-
		10	-	-	-	-	284	334	384	434	484	534	584	-
MFBX	100	20	-	•	-	-	329	379	429	479	529	579	629	-
		30	-	-	-	-	407	457	507	557	607	657	707	-
		40	-	-	-	-	509	559	609	659	709	759	809	-
		10	-	-	-	-	284	334	384	434	484	534	584	-

For any further information, please, contact our commercial dept.